



Steering and suspension parts.



Uncompromising quality for the toughest challenges.

The content of this brochure is not legally binding and is solely intended for information purposes. Where legally permissible, all liability on the part of Schaeffler Automotive Aftermarket GmbH & Co. KG devolving in connection with this brochure is excluded.

All rights reserved. Any reproduction, distribution, communication, public reproduction, or other publication of this brochure in its entirety or in part is not permitted without prior written consent from Schaeffler Automotive Aftermarket GmbH & Co. KG.

Copyright ©
Schaeffler Automotive Aftermarket GmbH & Co. KG
January 2016

Schaeffler Automotive Aftermarket – more innovation, more quality, more passion.

Schaeffler Automotive Aftermarket – four strong brands.

Whenever a vehicle needs to go to the garage, the products and repair solutions from Schaeffler Automotive Aftermarket are usually the first choice for the repair work.

Backed by the four brands LuK, INA, FAG, and Ruville, this business division is responsible for Schaeffler's global automotive aftermarket business. Be it a car, light or heavy commercial vehicle, bus, or tractor – Schaeffler Automotive Aftermarket is able to draw on decades of experience in the independent aftermarket, and offers tailored solutions for meeting diverse repair requirements. All products and repair solutions from Schaeffler Automotive Aftermarket stand for technological excellence and outstanding quality.

The focus is also constantly on producing a leading product range for every vehicle class and model. Due to innovative technology, a multitude of new vehicle models, plus increasingly complex vehicle components and service work, garage professionals are constantly faced with challenging repair situations. That is why the Schaeffler Automotive Aftermarket portfolio contains everything required for a professional part replacement: from the genuine spare part to sophisticated repair solutions to the right special tool.



Schaeffler REPERT – the all-in-one portal for garages.

Schaeffler Automotive Aftermarket is entering a new service dimension with REPERT. Whether you need the online portal, live technical demonstrations, or training – all technical services are provided in just one place.

Interested in the latest product news, service information, installation instructions, or training? Looking for specific information or damage diagnosis? Are you in need of particular tools to make your everyday garage routine easier? Then simply register for free in just a few clicks at:

www.repxpert.com.

SCHAEFFLER
REPERT



Our brands and products – leaders in the automotive industry.

Backed by its product brands LuK, INA, FAG and Ruville, Schaeffler is a world-leading provider of rolling bearing and plain bearing solutions, linear and direct drive technology, and also a renowned supplier to the automotive industry of high-precision components and systems for engines, transmissions, and chassis.

This global group is one of the largest technology companies in family ownership in Germany and indeed Europe. Schaeffler has a worldwide network of manufacturing locations, research and development facilities, and sales companies.

When quality and innovation create perfect unity.

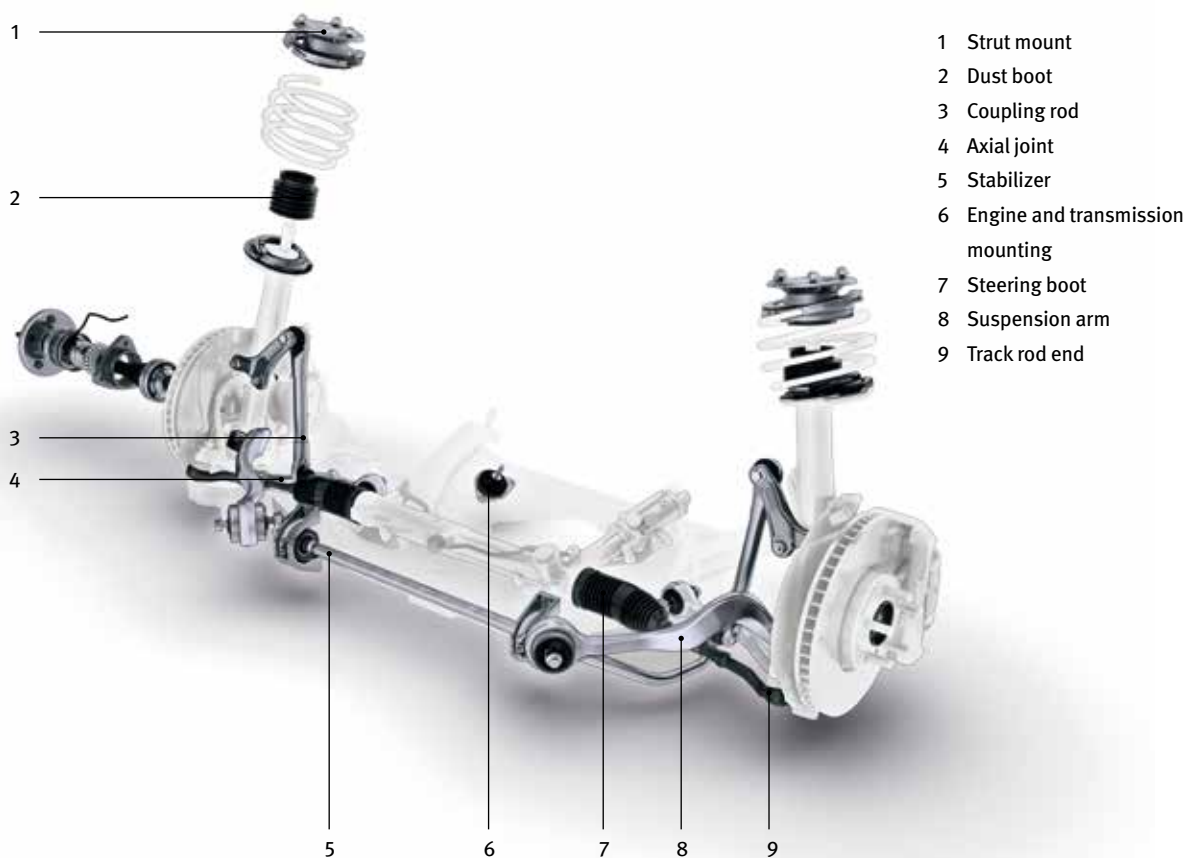
Precision steering, optimum road contact, maximum driving comfort – to ensure your driving pleasure continues for years to come, you need a supplier you can trust. Ruville has been delivering first-class replacement parts and innovative repair solutions in renowned Schaeffler quality for over 90 years.

Every one of our **4,500 steering and suspension parts** is a combination of intelligent concept, efficiency and absolute reliability. Our stringent quality standards and testing processes are your guarantee that each part will stand up to life's everyday challenges.

Your benefits at a glance:

- **Complete program** for nearly all European and Asian cars and vans
- **The right product for every repair** – complete repair kits or, upon request, single replacement parts
- All products in renowned **Schaeffler quality**
- **Two year guarantee with no mileage limit** for each part

Our range of steering and suspension parts:



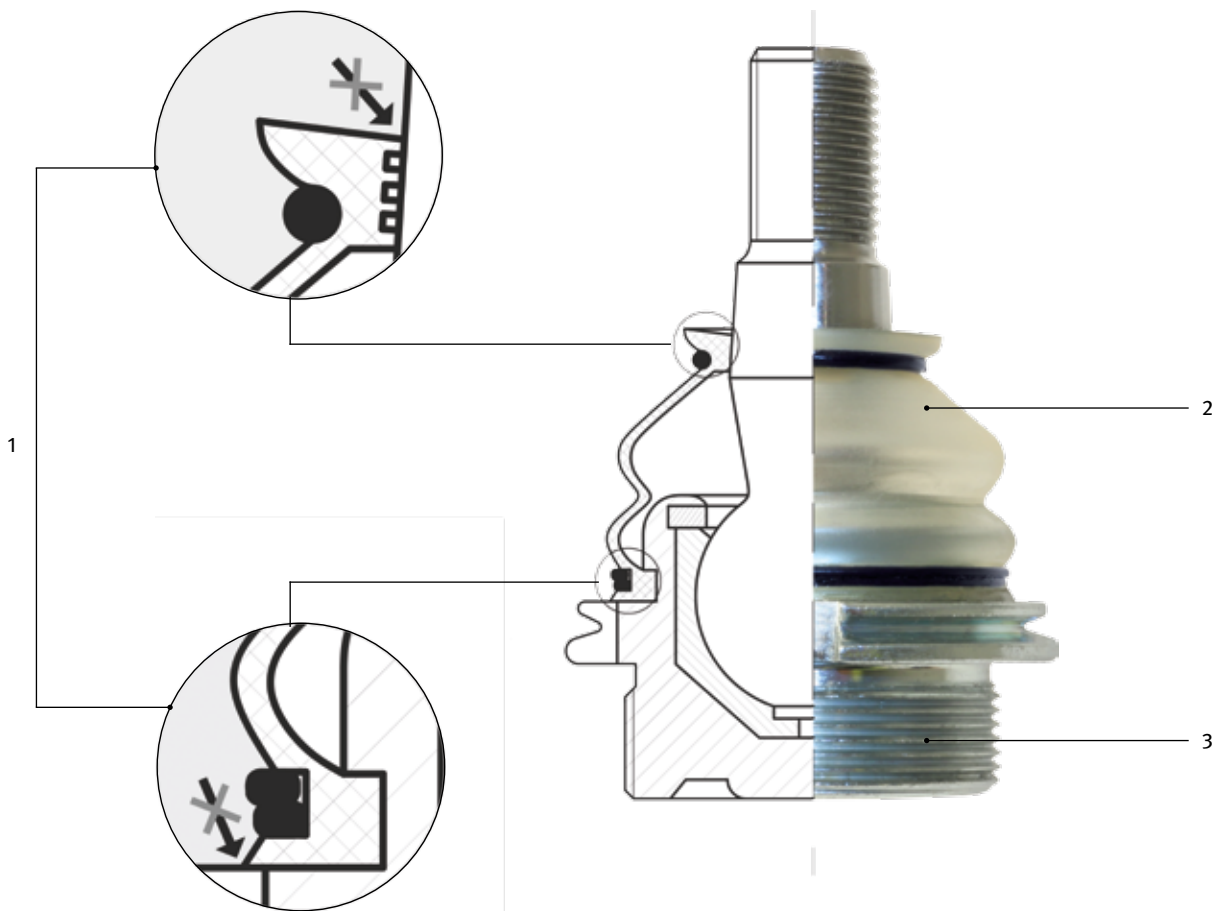
Developed for the toughest requirements.

When you are aiming for the best from your products – high mileage plus reduced wear and tear – the right choice and combination of materials play a leading role. That's why quality is our first priority.

An example of this quality promise can be demonstrated with **Ruville dust boots**. Thanks to the use of **thermoplastic polyurethane (e.g. Elastollan®)**, our boots have an extremely long lifespan and provide a permanent sealing of the joint against elements such as water, sand, or dust. This cutting edge material even holds up against UV rays, ozone, and chemicals. Potential assembly errors are minimized thanks to its robust construction, and the boot remains extremely flexible even at high temperatures.

In addition to the advanced materials used, our own in-house developed sealing system, featuring **three micro sealing lips engineered to perfectly fit the shape of the pin**, provides seamless sealing as well as optimal joint ventilation.

To prevent rust, and avoid contamination damage to the inside of the joint, the parts are also galvanized and equipped with either chrome III passivation or a zinc flake coating. The result: The performance and durability of all safety critical parts is guaranteed.



- 1 **Sealing system** with three micro sealing lips
- 2 **Boot material** made of thermoplastic polyurethane (e.g. Elastollan®)
- 3 **Corrosion protection** thanks to galvanized and zinc flake coating with 720 hours of red rust resistance (salt spray test according to the ISO 9227-3 standard)

Developed to make a difference in the workshop.

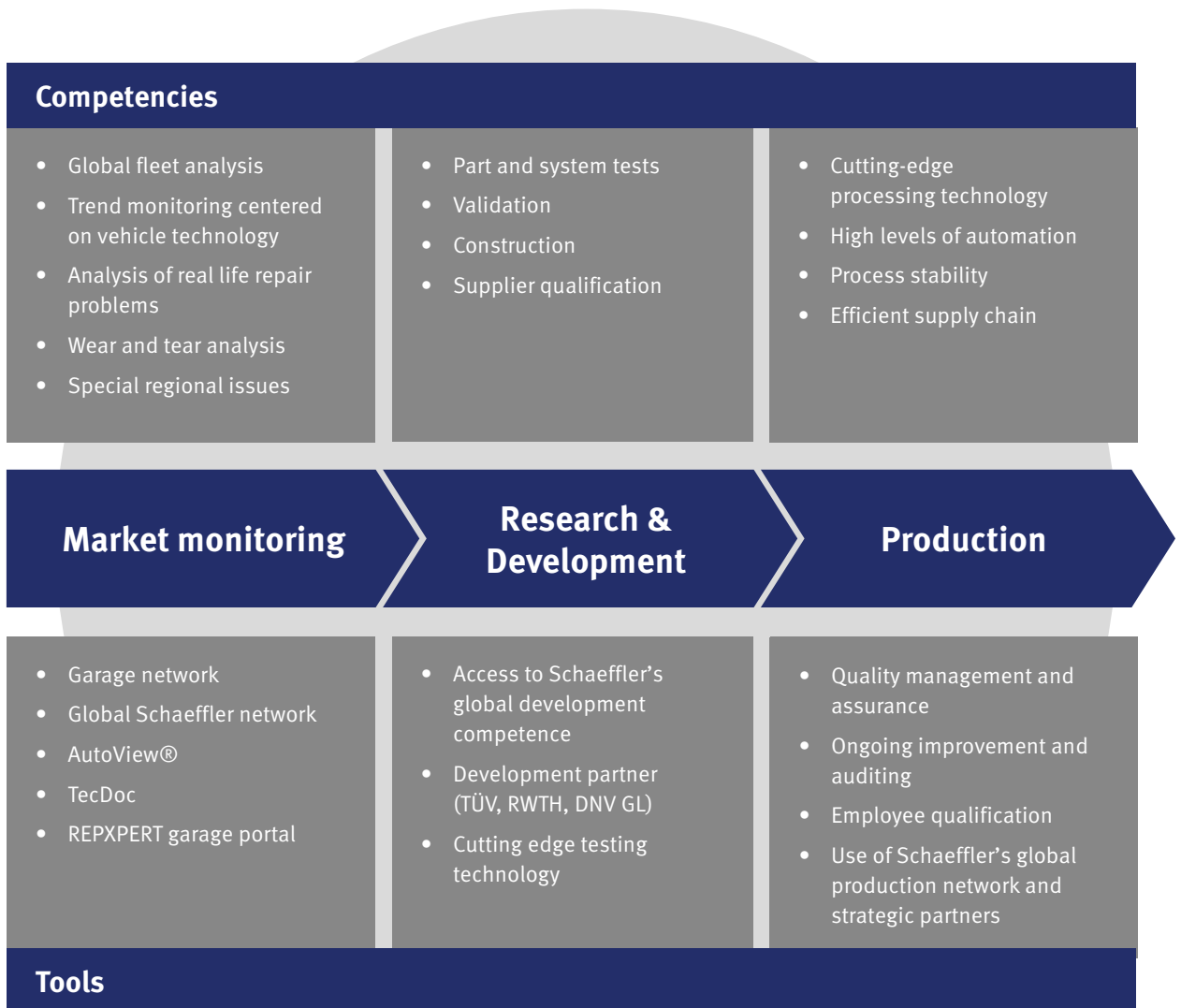
Whether a track rod, suspension arm, or steering boot – you can rely 100 % on every single one of our vehicle parts. To not only promise the best production quality but to really guarantee it, we have tapped into the development know-how of Germany’s leading car parts supplier, Schaeffler, and combined this knowledge with our repair and product competencies. Together, we have developed a **quality management process** that **sets new standards** on the market.

From monitoring the latest technology trends and the development of concepts to initial testing and production

of the final, finished component – all specialists work together to provide the perfect parts. They will not only convince you with their ease of fitment, but they will also hold up to any real life challenge. To achieve this, the dimensions, functionality, and material quality of all our parts are put to the test at our in-house laboratory.

Besides our own test track, we submit our parts for additional testing by **independent institutes** such as the Rheinisch-Westfälische Technische Hochschule (RWTH) in Aachen, the TÜV association for technical inspection, and the Det Norske Veritas germanischer Lloyd classification society.

From the concept to the finished part – the development process of a Ruville product.





From experts. For experts.

Just how well our new development quality management processes and garage oriented repair solutions work can be seen in our stub shaft repair kit.

Independent garages were the first to determine that the **rear axles of many PSA Group (Peugeot/Citroën) vehicle types** were subject to excessive wear and tear. The reason for this was, amongst other things, the small operating area for the roller bearings, which began to work their way into the stub shaft at high mileage. What's more, porous shaft seals led to oxidation of the parts. The result: A misalignment of the rear wheels, unpleasant noises while driving and reduced handling ability. To rectify the problem, garages had to replace the entire rear axle. For some customers, this was the equivalent of a total right-off.

Thanks to our direct contact with garages, Ruville was able to solve the problem at an early stage and develop the perfect repair solution: The **stub shaft repair kit**. Together with the supplied special tool, the kit is the first to enable an **efficient repair** of only the damaged components, economically in line with **vehicle value** – much to the joy of vehicle owners and garages.

Your benefits at a glance:

- Repair costs that reflect the car's current value
- Up to 40 % savings in money
- All of the necessary parts also available as a single kit upon request
- Patented special tools



Expert know-how at first hand.

Ruville sees itself not just as a provider of first-class repair solutions – but we are also a service provider. After all, with the expanding range of car models fitted with increasingly complex parts, garages are faced with new challenges every day. That's why we offer **specialized training modules** to freshen up your specialist knowledge and help you to work quickly, efficiently, and professionally.

For example, the **hands-on training module for suspension components** is led by our experienced master mechanics and technicians, who will introduce you to our stub shaft repair kit, amongst other innovations, and will train you in the latest steering technology.

Interested in our training modules?

Send us an e-mail at training@ruville.de. We are ready to answer your questions or make an appointment with you on the spot.

By the way: If you would like to discover more information, just sign up at www.repxpert.com for free. Our online garage portal gives you access to all the latest product news, service information, assembly instructions, training and much more – and it is always there when you need it most.



Notes

More garage knowledge:
www.rexpert.com